

PARTS LIST

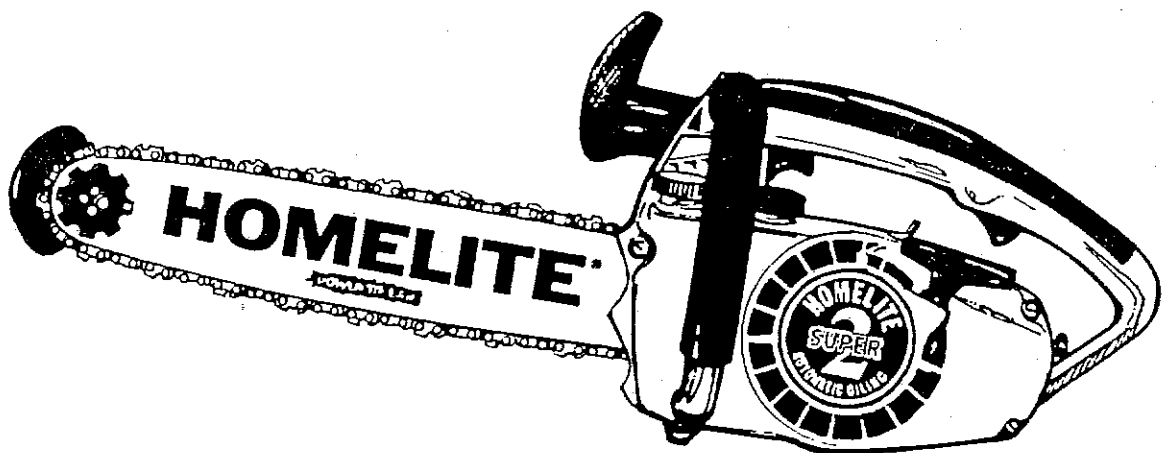
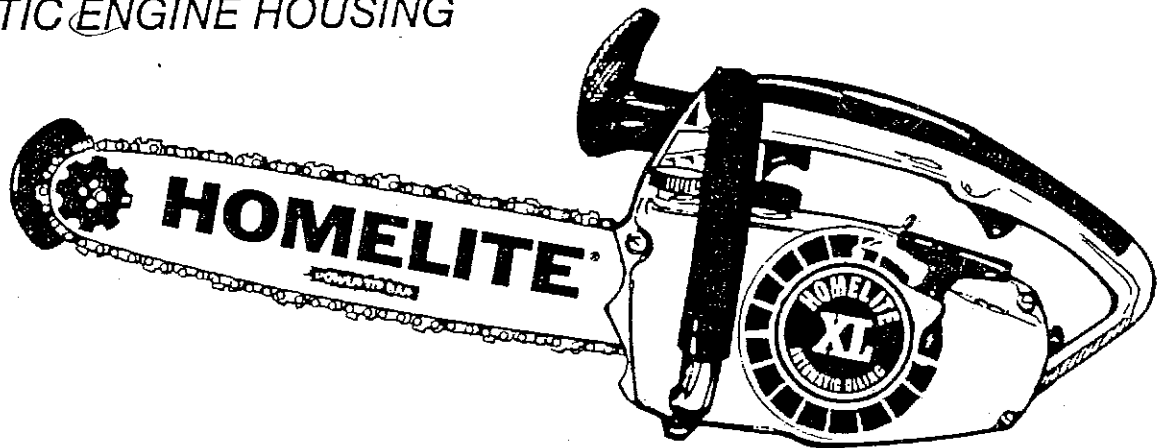
XL[®] (UT-10655)

and

Super 2 (UT-10654)

Automatic Oiling Chain Saws

PLASTIC ENGINE HOUSING

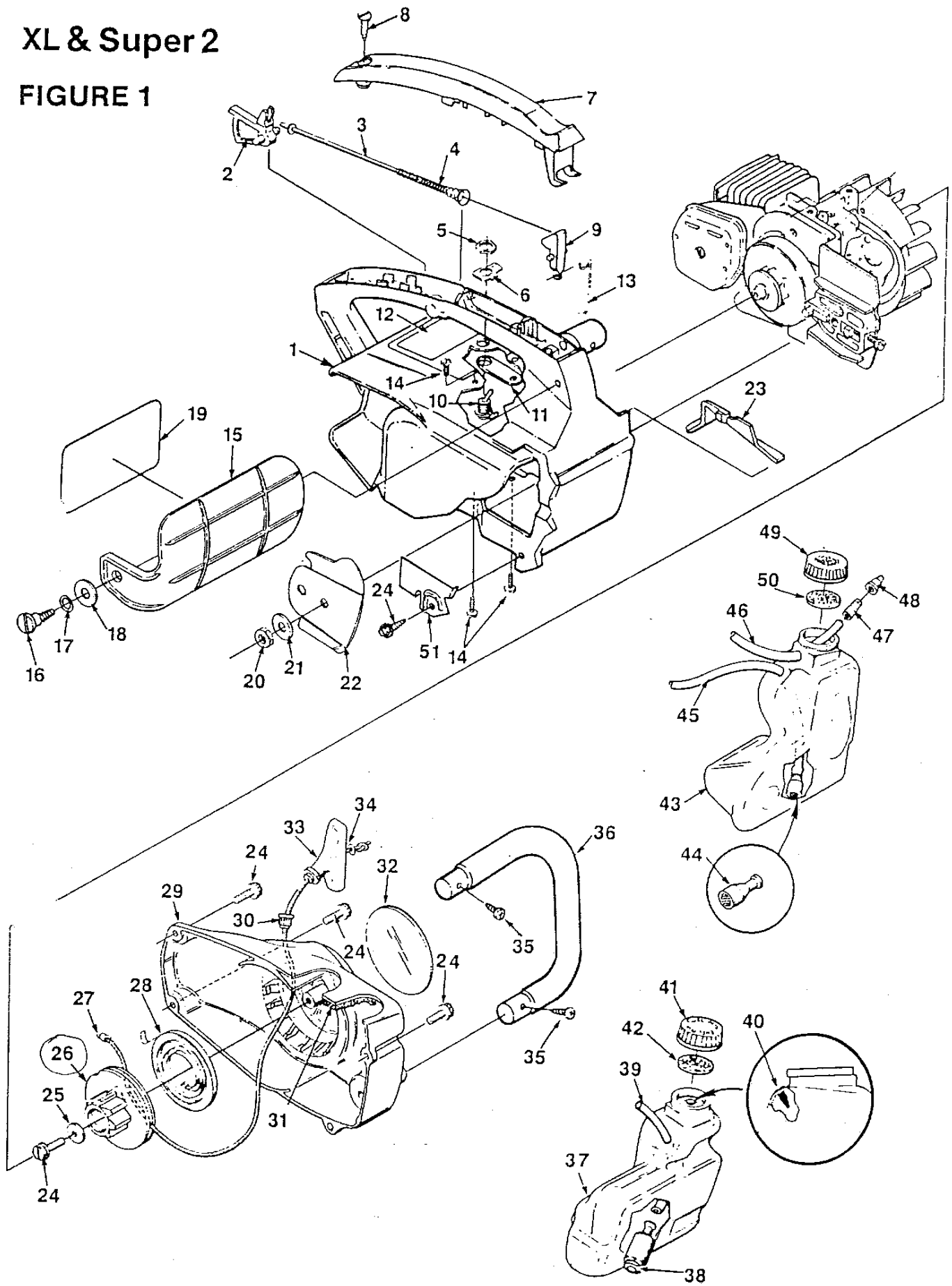


HOMELITE **TEXTRON**

Homelite Division of Textron Inc.

XL & Super 2

FIGURE 1



ALWAYS FURNISH MODEL AND SERIAL NUMBER WHEN ORDERING PARTS.

XL & Super 2

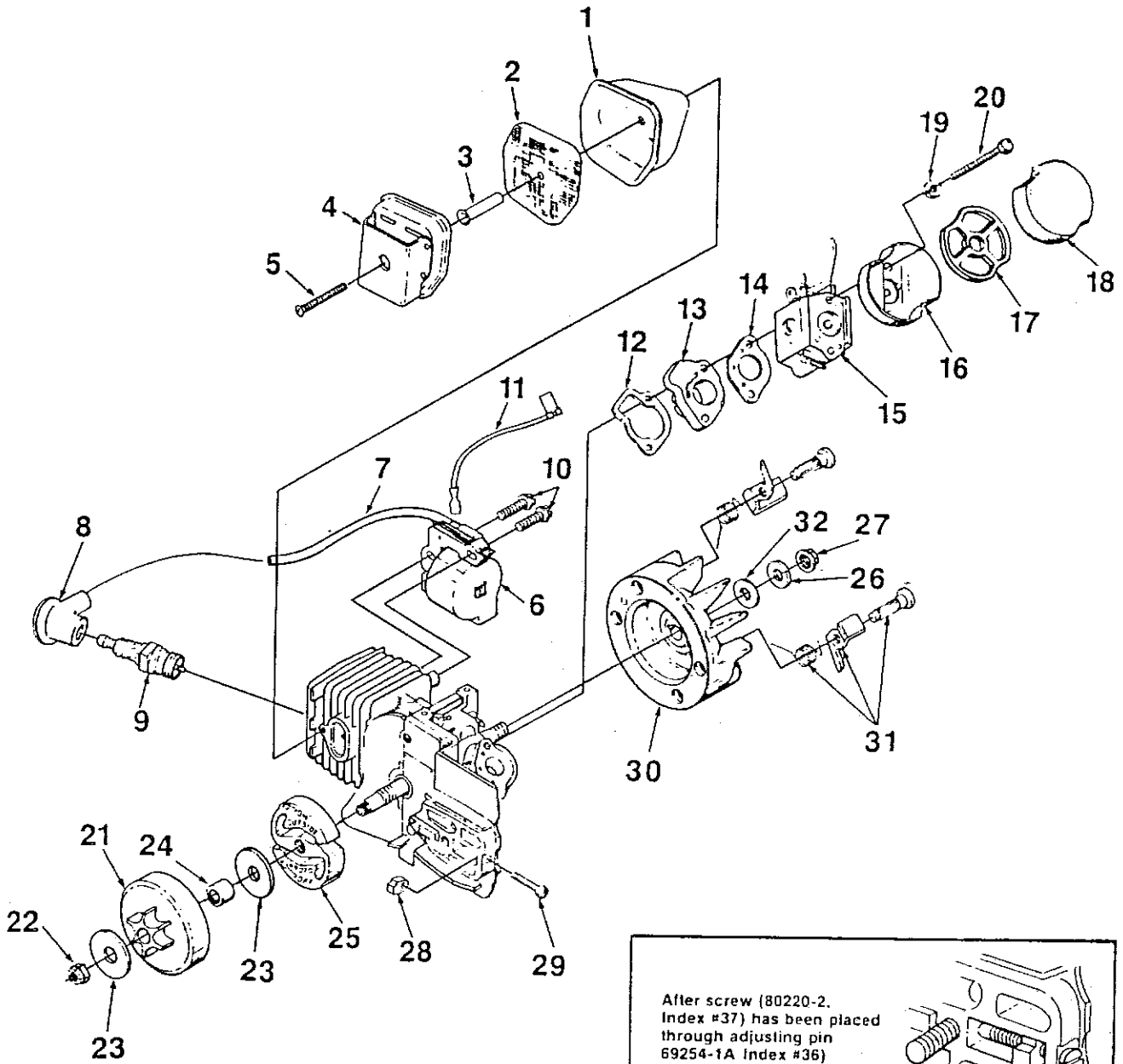
FIGURE

NO.	DESCRIPTION	PART NO.	SUPER 2		NO.	DESCRIPTION	PART NO.	SUPER 2	
				XL					XL
1	HOUSING- Engine Includes:	A-98086	1	1	31	FILTER- Fuel tank valve	69443	1	1
2	TRIGGER- Rear	70619	1	1	32	DECAL- (Super 2)	70240	1	
3	ROD- Throttle	A-98088	1	1		DECAL- (XL)	69887		1
4	SPRING- Throttle rod	69249	1	1	33	GRIP- Starter	70211	1	1
5	NUT- Hex	72084-A1	1	1	34	WASHER- Flat	84025	1	1
6	PLATE- "ON-OFF"	70834	1	1	35	SCREW- Thread forming	94065	1	1
7	COVER- Handle	98021	1	1	36	HANDLE BAR	94508	1	1
8	SCREW- Thread forming (10 x .625)	82312	1	1	37	TANK- Fuel Includes:	A-70899-C	1	1
9	LEVER- Throttle	69107	1	1	38	FILTER- Fuel	96639	1	1
10	SWITCH & LEAD	A-94721	1	1	39	LINE- Fuel 7 1/4"	70310-29	1	1
11	STRAP- Ground	96417	1	1	40	VALVE- Check (Duck bill)	69451	1	1
12	PLATE- Starting instruction	70835	1	1	41	CAP- Fuel tank (red) Includes:	A-97228	1	1
13	ROD- Front throttle	69255-C	1	1	42	GASKET- Fuel cap	94494	1	1
14	SCREW- Hex hd.	88063	4	4	43	TANK- Oil Includes:	A-70898-A	1	1
15	GUARD- Hand Includes:	A-70796-C	1	1	44	FINDER- Oil	A-68593	1	1
16	SCREW- Shoulder	95714	1	1	45	LINE- Oil (6")	70309-24	1	1
17	WASHER- Belleville	95694	1	1	46	LINE- Pressure Includes:	A-69358-B	1	1
18	WASHER- Flat	96102	1	1	47	CONNECTOR- Oil	69659-B	1	1
19	DECAL	96990	1	1	48	VALVE- Check (Duck bill)	69451	1	1
20	NUT- Guide bar 1/4-28	81065-2	1	1	49	CAP- Oil (Black) Includes:	A-97359	1	1
21	WASHER- Flat	69309-A	1	1	50	GASKET- Fuel filler cap	94494	1	1
22	PLATE- Guide bar	69360-1	1	1	51	GUARD- Chain	98054	1	1
23	COVER- Air filter	69263	1	1					
24	SCREW- Thread forming (Note 1)	70771	6	6					
25	WASHER- Retaining	94062	1	1					
26	PULLEY- Starter	97768	1	1					
27	ROPE- Starter	97899	1	1					
28	SPRING & CONTAINER	A-97908	1	1					
29	STARTER HOUSING ASSY. Includes:	A-98085	1	1					
30	BUSHING- Starter housing	96981-1A	1	1					

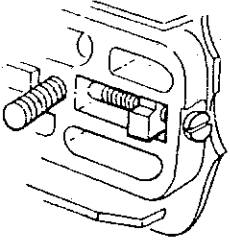
NOTE 1: If screw 70771 is stripped out of starter housing, replace all four screws with oversized screw 94565.

XL & Super 2

FIGURE 2



After screw (80220-2, Index #37) has been placed through adjusting pin (69254-1A Index #36) the end of the screw should be crimped. This will prevent the screw from backing out.



XL & Super 2

FIGURE 2

NO.	DESCRIPTION	PART NO.	SUPER 2		NO.	DESCRIPTION	PART NO.	SUPER 2	
			1	XL				1	XL
	MUFFLER- Complete	A-94051-C	1	1	21	SPROCKET & DRUM	A-95653-A	1	1
	Includes:					Includes:			
1	BODY- Muffler	93986	1	1	22	NUT- Locking (6/16-24)	81112	1	1
2	SCREEN- Spark arrestor (Note 4)	93991-A	1	1	23	WASHER- Thrust	95299	2	2
3	SPACER- Muffler	93983-08	1	1	24	BEARING- Needle	68512	1	1
4	CAP- Muffler (w/shield)	A-95428-A	1	1	25	CLUTCH (S)	A-70351-A	1	1
5	SCREW	93460	1	1	26	WASHER- Lock	83002	1	1
6	MODULE- Ignition (solid state)	94711-A	1	1	27	NUT- Rotor (5/16-24)	81117	1	1
	Includes:				28	PIN- Adjusting (see insert)	69254-1A	1	1
7	LEAD- High tension (Note 1)	69326	1	1	29	SCREW- Adjusting (Fil. hd. 8-32 x 1) (see insert)	80220-2	1	1
8	TERMINAL- Spark plug (Note 2)	A-33055	1	1	30	ROTOR & STARTER PAWL (Phelon)	A-95007	1	1
9	SPARK PLUG (Champion DJ7Y)	96169-S	1	1		Includes:			
10	SCREW- Hex w/washer (8-32 x 3/4)	82248	2	2	31	KIT- Starter pawl (Note 3)	A-70285-D	1	1
11	LEAD- Ground	A-94721	1	1	32	WASHER- Flat	84065	1	1
12	GASKET- Intake manifold	69143	1	1					
13	MANIFOLD- Intake	A-69373-B	1	1					
14	GASKET- Carburetor	65016	1	1					
15	CARBURETOR- (HDC-65) Walbro	A-94649-A	1	1					
	CARBURETOR- (C2S-H5) Zama	A-96481	1	1					
16	CUP- Air filter	69148	1	1					
17	RETAINER- Air filter	69457	1	1					
18	FILTER- Air	69141	1	1					
19	WASHER- Lock	83006	2	2					
20	SCREW- Hex hd. (10-32 x 2 1/4)	80481	2	2					

NOTE 1: For solid state ignition, cut wire to 6 1/2".

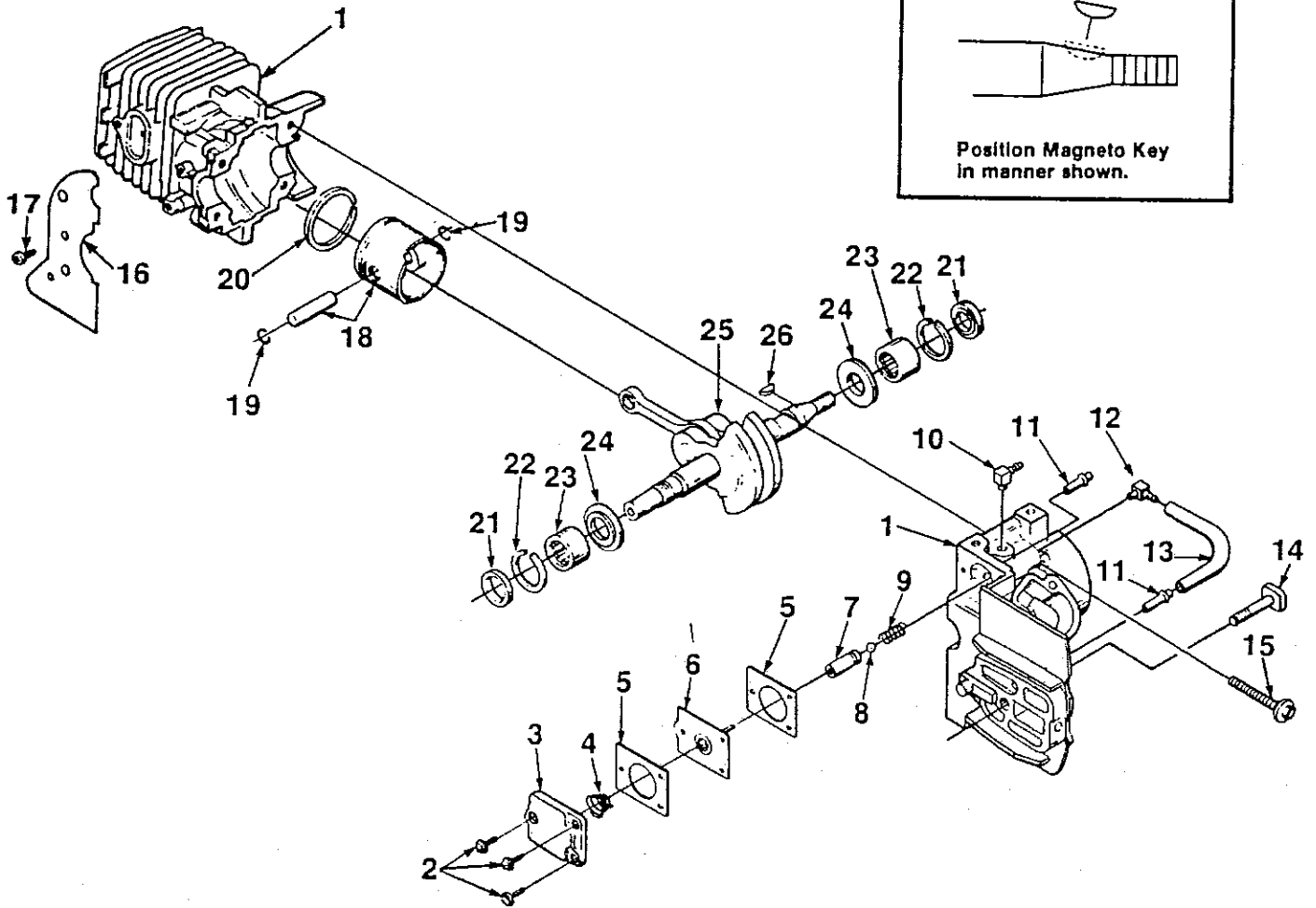
NOTE 2: Use A-33055 for service replacement.

NOTE 3: Replacement starter pawl kit, Item #31 includes an oversized pin. Paint, stamp or mark to identify oversized pin when installing. Oversized pin can be installed tightly once. If oversized pin is removed the entire rotor assembly must be replaced.

NOTE 4: Spark Arrestor Kit A-97955 includes Items #2, 3, 4, & 5.

XL & Super 2

FIGURE 3

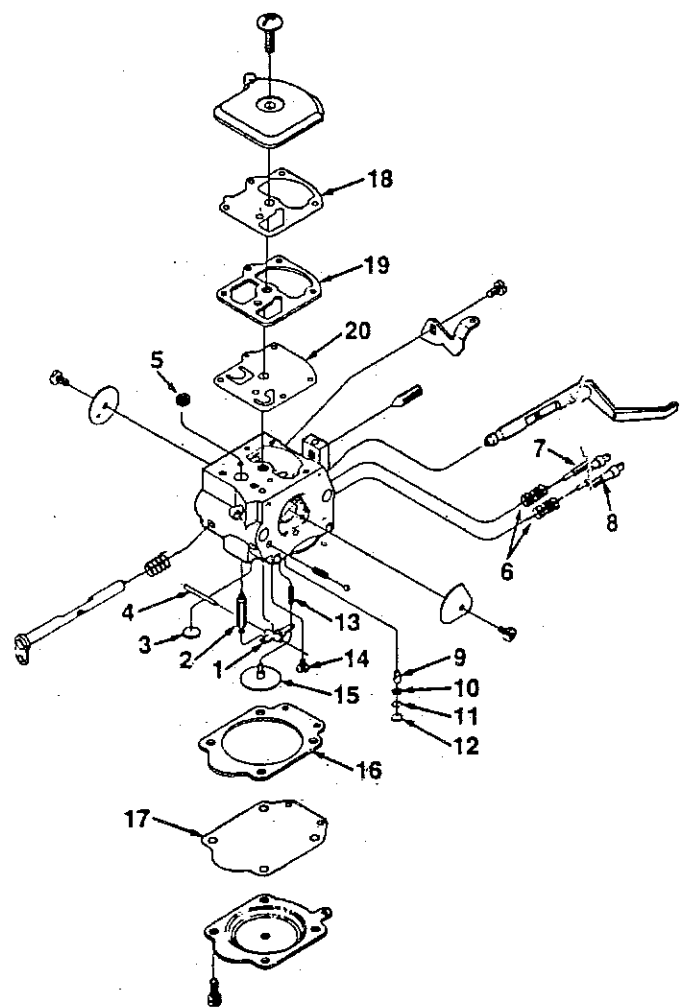
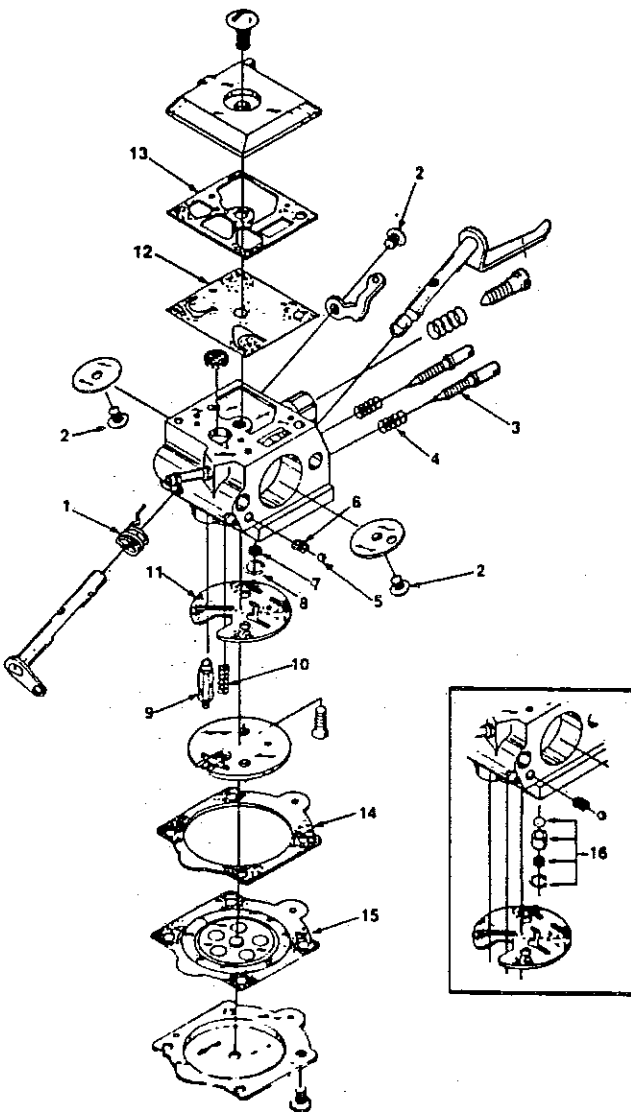


NO.	DESCRIPTION	PART NO.	SUPER 2	XL	NO.	DESCRIPTION	PART NO.	SUPER 2	XL
1	CRANKCASE & CYLINDER ASSY.	A-95072	1		20	RING- Piston (primary source)	70205	1	
	CRANKCASE & CYLINDER ASSY.	A-95071-A		1		RING- Piston (alternate source)	93165		1
	Includes:					PISTON & PIN ASSEMBLY (Note 1) (See index #18)	A-69393		1
2	SCREW- Pan hd. (6-32 x 3/8)	80571	3	3		Includes:			
3	COVER- Oil pump	69224-1C	1	1		RING- Piston pin retaining (see index #19)	65261		2
4	SPRING- Oil pump	69447	1	1		RING- Piston (primary source) (See index #20)	69312		1
5	GASKET- Oil pump	69244-1	2	2		RING- Piston (alternate source)	69312-1A		1
6	PLUNGER- Oil pump	A-12356-B	1	1	21	SEAL	94638	2	2
7	BODY- Oil pump	69343-1	1	1	22	SPAGER	69407	2	2
8	BALL- Check valve	60051	1	1	23	BEARING- Needle	12530	2	2
9	SPRING- Check valve	68570	1	1	24	WASHER- Thrust	69093-B	2	2
10	FITTING- Oil line	70204	1	1	25	CRANKSHAFT	A-94992	1	1
11	FITTING- Tube	94619	2	2		Includes:			
12	FITTING- Oil line	98109	1	1		NUT (Not shown)	81112	1	1
13	LINE- Oil	70161	1	1	26	KEY- Magneto	69250	1	1
14	BOLT- Guide bar	69195	1	1					
15	SCREW- Sems hex hd. (8-32 x 1)	88044	4	4					
16	SHIELD- Sawdust	69094	1	1					
17	SCREW	93932	2	2					
18	PISTON & PIN ASSEMBLY	A-70224-A		1					
	Includes:								
19	RING- Piston pin retaining	65261	2						

NOTE 1: Use 96935 piston ring for units with pinless piston.

**CARBURETOR
HDC-65
A-94649-A (WALBRO)**

**CARBURETOR
C2S-H5
A-96481 (ZAMA)**



- 94056 Repair Kit (Includes 1-15)
- 94701 Gasket/Diaphragm Kit (Includes 11-15)
- 93910-B Check valve repair kit (16)
- 64229 Valve- Inlet needle (9)

- 96484 Repair Kit (1-16)
- 96485 Diaphragm/Gasket Kit (10-14)

ACCESSORIES

GASKET- Oil pump body (repair)	69596
KIT- Repair (sprocket nose bar) -	A-70239-B
LINE- Fuel (10 ft. length)	70310-99
LINE- Oil (10 ft. length)	70309-99
SAFE•T•TIP (standard)	A-70776-A
Includes:	
SCREW (Special)	93695
GREASE- Multi-use	
(Sprocket bearing - PT guide bar)	17193
CARRYING CASE	94215-A
STARTING ROPE- 250 ft. reel 3 1/2	98052

TOOLS

WRENCH- Combination	D-24814
SILASTIC (crankcase sealing)	24823
PULLER- Magneto rotor	A-24747-A
Includes:	
BOLT- 5/16-18 x 1 3/4 (1)	80288
NUT- Hex 5/16-18 (2)	81196
WRENCH- Spanner (clutch)	A-93791
Includes:	
PIN- Clutch spanner	23717-A
CARBURETOR REPAIR TOOL KIT	17789
IGNITION TEST SPARK PLUG	JA-31316-4
SHIM- .015" (Air gap)	22486

SABRE ITALIA S.r.l.

Via Spinà, 9
 36033 ISOLA VICENTINA (VI) - ITALIA
 P.IVA IT00498100247
 Tel. 0444 977655 Fax 0444 977200
 e-mail: info@sabreitalia.com

05801 RY

HOMELITE DIVISION OF TEXTRON INC.
 P.O. BOX 7047
 14401 CAROWINDS BOULEVARD
 CHARLOTTE, N.C. 28217

HOMELITE **TEXTRON**

Homelite Division of Textron Inc.